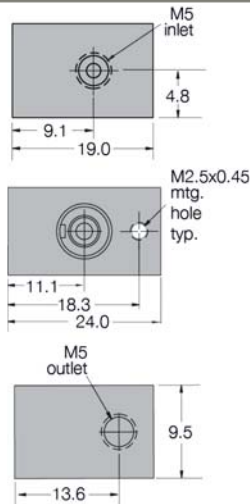


### Single-Station Manifolds

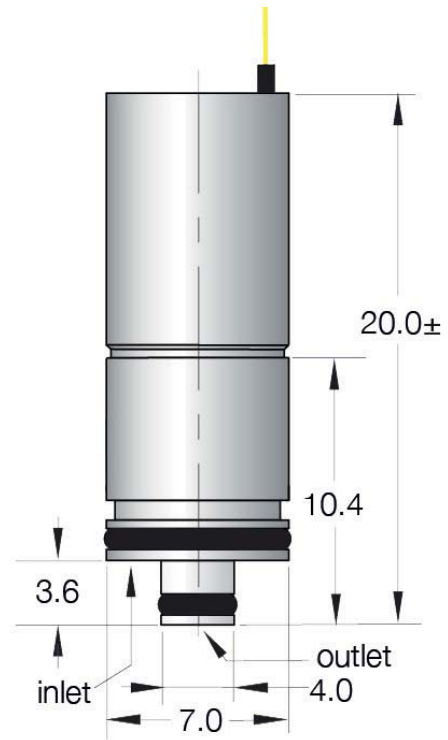


Black anodized aluminum manifold comes with mounting clip and screw. Other materials available.



Part No.	Description
M-SVM-01	Single-Station Manifold, M5
SVM-MC	Mounting Clip & Screw Only

Pressure	Seals	12VDC	24 VDC
Vac to 10 bar	FKM	SV-2C-12-3-V	SV-2C-24-3-V
Vac to 8 bar	FKM	SV-2C-12-5-V	SV-2C-24-5-V
Vac to 6 bar	FKM	SV-2C-12-8-V	SV-2C-24-8-V
Vac to 3 bar	FKM	SV-2C-12-10-V	SV-2C-24-10-V
Vac to 10 bar	EPDM	SV-2C-12-3-E	SV-2C-24-3-E
Vac to 8 bar	EPDM	SV-2C-12-5-E	SV-2C-24-5-E
Vac to 6 bar	EPDM	SV-2C-12-8-E	SV-2C-24-8-E
Vac to 3 bar	EPDM	SV-2C-12-10-E	SV-2C-24-10-E



Medium:  
Air, Gas or other Compatible Fluids

Nominal Power:  
0.85 watts

Temperature Range:  
Up to 50°C

Switching Time:  
<4 ms\*

Electrical Connection:  
76 mm Leads

Voltage:  
12 or 24 VDC

Mounting:  
Cartridge

Weight:  
4 grams

Wetted Materials:  
Stainless Steel

Seal Material:  
FKM or EPDM standard.  
FFKM available upon request.

